

KINVARO

L-80 parallel lift flap fitting



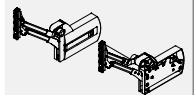
- Holds flap securely in any position
- Extremely smooth movement
- Adjustable spring force
- Integrated adjustable closing damper
- Flap 3-dimensionally adjustable – height, side, angle: direct adjustment ± 1.5 mm
- Allows the use of cornices, pelmets and attached lights
- Wide range of applications for many different flap materials
- Fast, tool-free clip fitting of the front
- Pre-assembled Euro screws and positioning pins for easy fixture of the fitting to the side wall
- Extremely strong
- Weight 1.9 to 14.6 kg
- Range of flaps:
Width: 450 – 1200 mm
Height: 350 – 600 mm
- Cover caps in white and grey, similar to RAL 7045

APPLICATION RANGE

Cabinet height	Guide lever	Flap weight incl. handle (kg)		
		Spring A	Spring B	Spring C
350 – 369	Type 1	2.5 – 6.5	6.0 – 9.5	–
370 – 389	Type 2	2.3 – 6.0	5.5 – 9.0	8.5 – 9.6
390 – 409	Type 3	2.1 – 5.5	5.0 – 8.5	8.0 – 10.1
410 – 429	Type 4	1.9 – 5.0	4.5 – 8.0	7.5 – 14.6
430 – 600	Type 5	2.0 – 4.5	4.0 – 7.5	7.0 – 14.6

ORDER INFORMATION

Kinvaro L-80 set



Cabinet height	Cover cap white			Cover cap grey		
	Spring A	Spring B	Spring C	Spring A	Spring B	Spring C
350 – 369	F152147781	F152147828	–	F152145248	F152147444	–
370 – 389	F152147824	F152147829	F152147833	F152147440	F152145249	F152145250
390 – 409	F152147825	F152147830	F152147834	F152147441	F152145251	F152145252
410 – 429	F152147826	F152147831	F152147835	F152147442	F152145281	F152145282
430 – 600	F152147827	F152147715	F152147788	F152147443	F152145253	F152145254

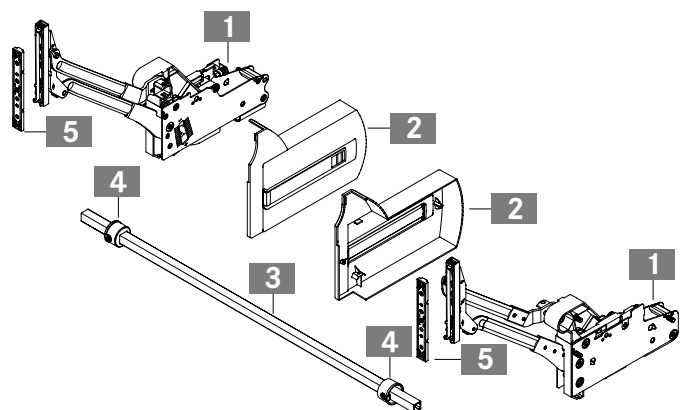
Aluminium frame adapter, Kinvaro L-80 set



Designation	Overlay	Art.-no.
Aluminium frame adapter (2x) for narrow aluminium frames (19 mm) with fixing screws (16x)	13 – 17	F152145055

Kinvaro L-80 set comprises:

- 1** Fitting, right and left (1x)
 - 2** Cover caps on right and left (1x)
 - 3** 1090 mm cross bar for cutting to length (1x)
 - 4** Sliding sleeves (2x)
 - 5** Mounting plates (2x)
- Paper template (1x)
Installation instructions (1x)



Assembly aids	78		
Kinvaro L-80 adjustment options	74		