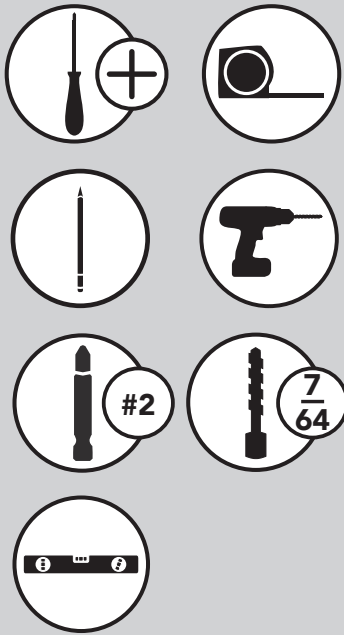


INSTALLATION INSTRUCTIONS

5730/5786 SERIES PULLOUT BASKET WITH SOFT-CLOSE

TOOLS REQUIRED:



ESTIMATED ASSEMBLY TIME:

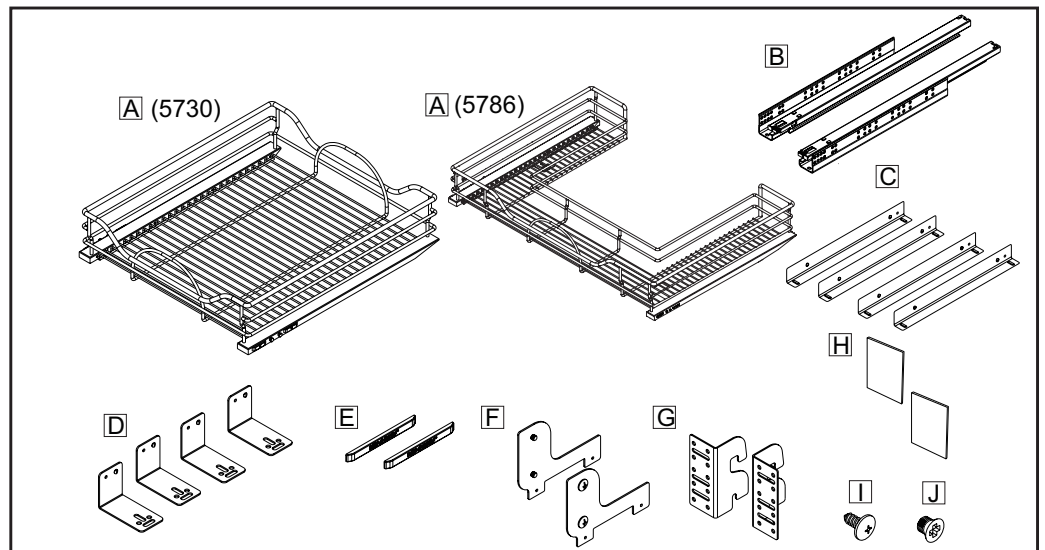
30 MIN

CARE AND MAINTENANCE:

Clean with a damp cloth and wipe parts dry.



PART LIST:



Basket (A), Slide (B), Side mount bracket (C), Bottom Mount bracket (D), Logo cap (E), Mounting bracket (F), Door mounting bracket (G), Double sided tape (H), wood screw (I), Machine screw (J)

Bottom Mounted:

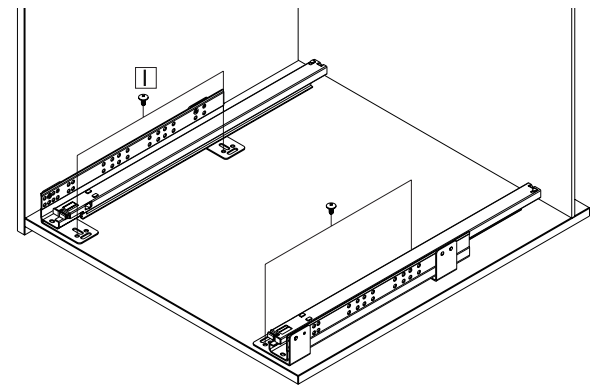
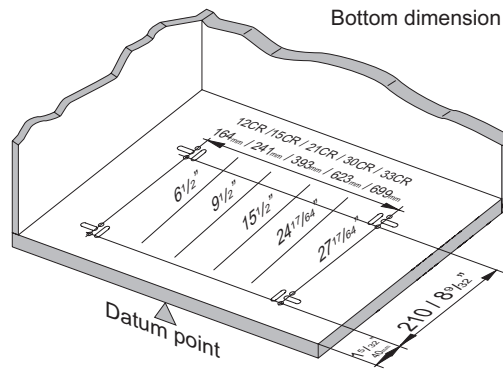
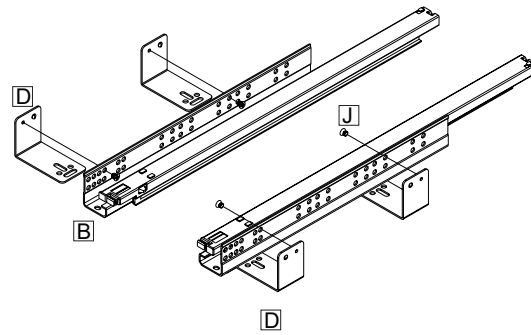
STEP 1

Attach bottom-mount brackets to front and rear of each slide with two screws per bracket. Front bracket should use the fourth and sixth top hole from the front of the slide. The back brackets use the third and fifth top holes from the rear of the slide.

Mark the four hole locations on cabinet floor per Bottom Dimension Diagram. Align bottom bracket holes with marked locations and install with four screws.

NOTE

If door mounting, skip to door mount instructions.



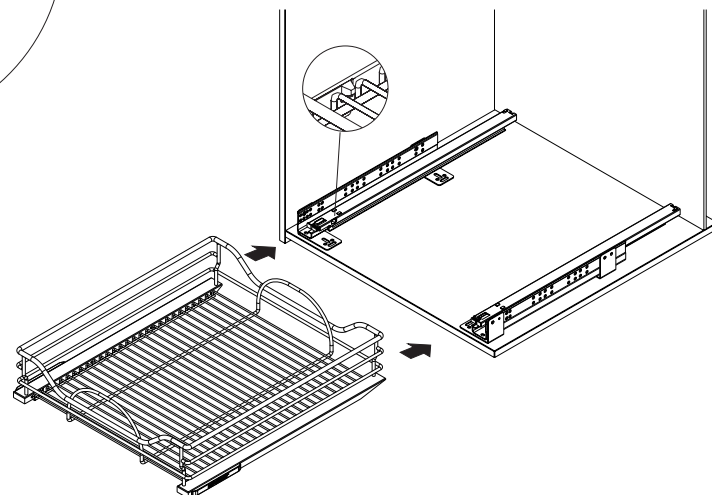
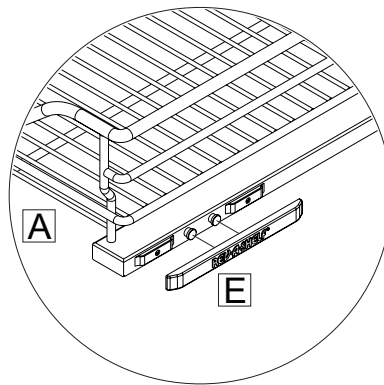
STEP 2

Snap the two logo caps to the studs on the front side of the basket.

Place basket on top of slides and push back until the basket locks under the tab at the rear and the button on the side.

NOTE

You should hear the button click when engaged.



STEP 1

Attach slide half of side-mount bracket to front of slide with two screws per slide. Front screw should use the fourth top hole from the front of the slide.

Mark fourth hole locations on cabinet wall per Flank Dimension Diagram. Align cabinet half of side-mount bracket holes with marked locations and install with four screws. Repeat on opposite wall.

Place slide assembly on top of cabinet mount bracket, insert screws, adjust to the desired width of basket and tighten screws. Repeat on opposite wall.

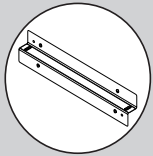
NOTE

If door mounting, skip to door mount instructions.

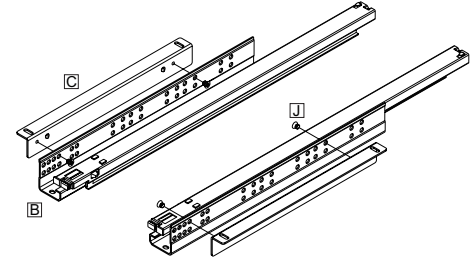
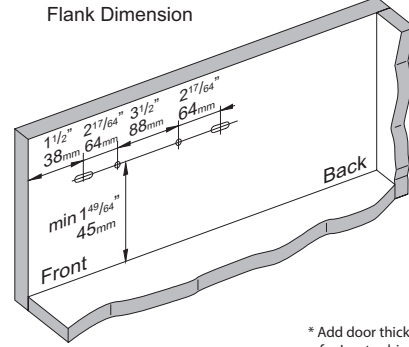
For Inset-Door applications, move the side-mount bracket back the thickness of the door.

OPTIONAL MOUNTING

Flip the two brackets to make an "S" shape to avoid door hinges or for additional space



Side Mounted: For Face-Frame Cabinets



Note: Inside cabinet widths can be as follows:

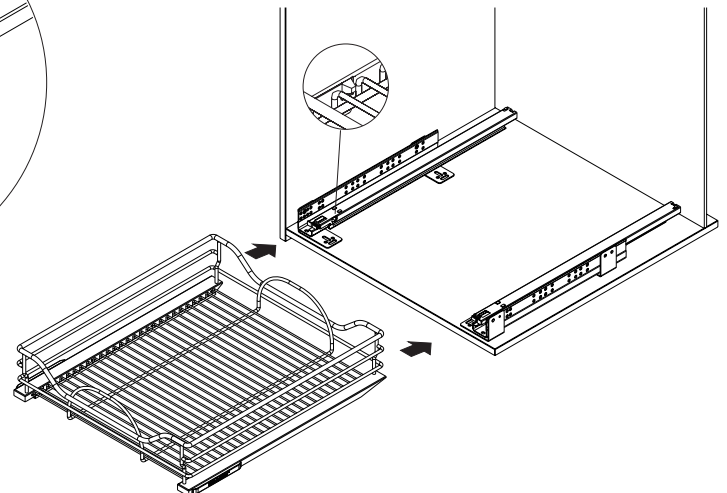
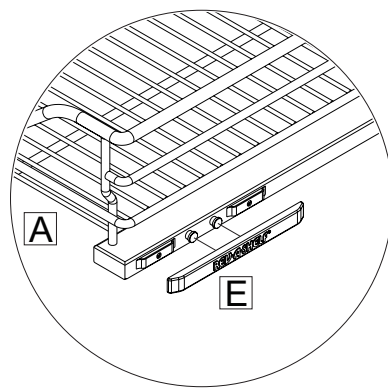
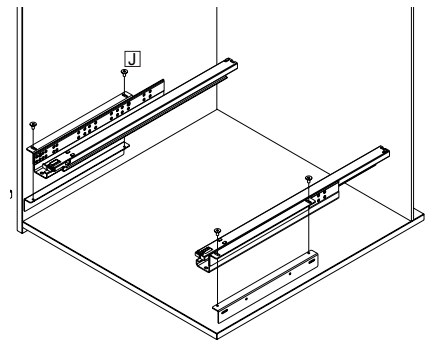
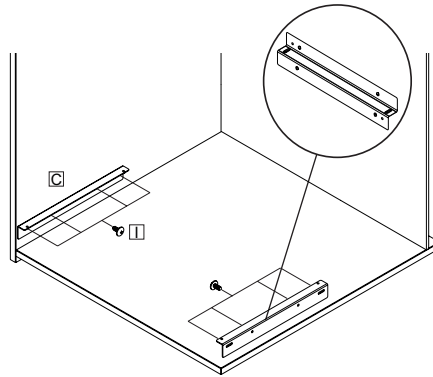
12CR = 13¹¹/₃₂" [339mm] – 13.68" [348mm]

15CR = 16¹¹/₃₂" [415mm] – 16.68" [424mm]

21CR = 22¹¹/₃₂" [567mm] – 22.68" [576mm]

30CR = 31²⁵/₆₄" [797mm] – 31.73" [806mm]

33CR = 34³/₈" [873mm] – 34.72" [882mm]



STEP 2

Snap two logo caps to the studs on the front side of the basket.

Place basket on top of slides and push back until the basket locks under the tab at the rear and the button on the side.

NOTE

You should hear the button click when engaged.

STEP 1

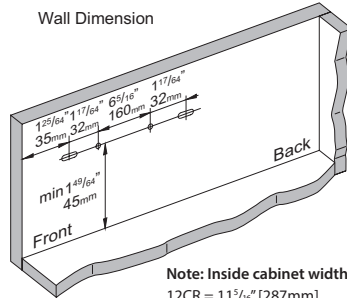
Attach slide half of side mount bracket to front of slide with two screws per slide. Front screw should use the fourth top hole from the front of the slide.

Snap two logo caps to the studs on the front side of the basket

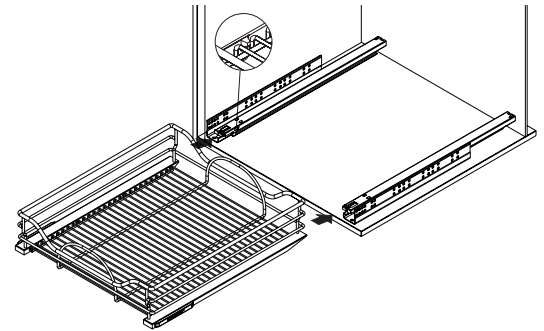
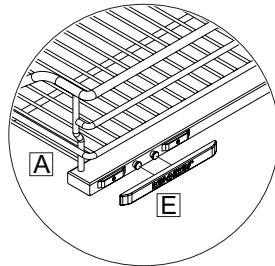
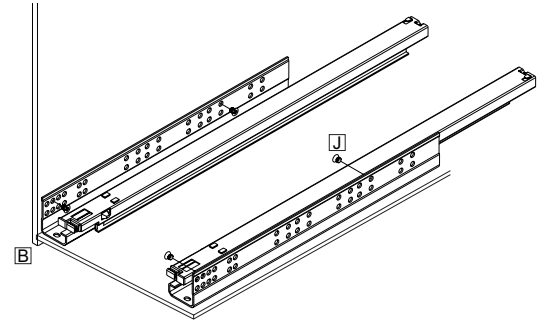
Place basket on top of slides and push back until the basket locks under the tab at the rear and the button on the side.

NOTE

You should hear the button click when engaged.



Note: Inside cabinet widths must be:
 12CR = 11 5/16" [287mm]
 15CR = 14 5/16" [364mm]
 21CR = 20 3/16" [516mm]
 30CR = 29 3/8" [746mm]
 33CR = 32 1/8" [822mm]



STEP 1

Attach slide mount bracket to slide with two screws per slide.

Insert Door Mounting Bracket between screws and Mounting Bracket. Tighten screws. Repeat for opposite side.

NOTE

Door Mounting Bracket should face towards outside of basket.

Place basket on top of slides and push back until the basket locks under the tab at the rear and the button on the side

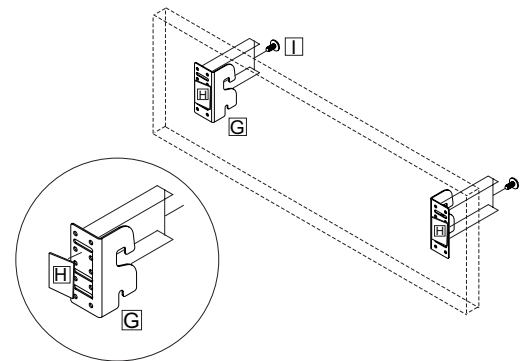
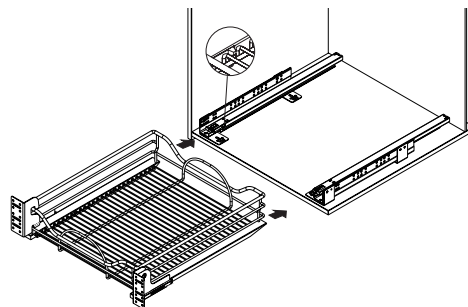
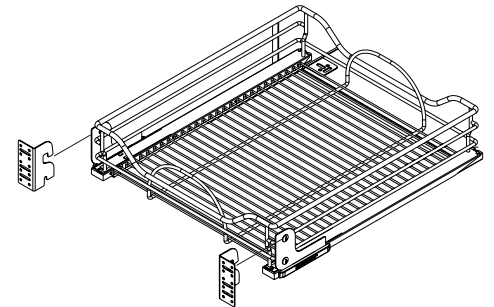
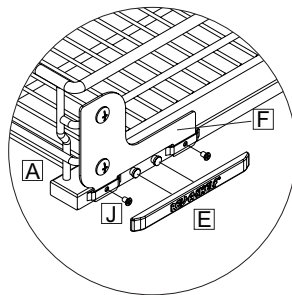
NOTE

You should here the button click when engaged.

Apply double stick tape to the Door Mounting Brackets. Align cabinet door to surrounding doors/drawers and press against brackets.

Slowly pull unit open and install four screws per bracket into door.

Door Mounted



12400 Earl Jones Way
 Louisville, KY 40299
 rev-a-shelf.com
 Customer Service: 800-626-1126