

Assembly Instructions for Sink Base Waste Containers

Series 8-785-30-DM2SS



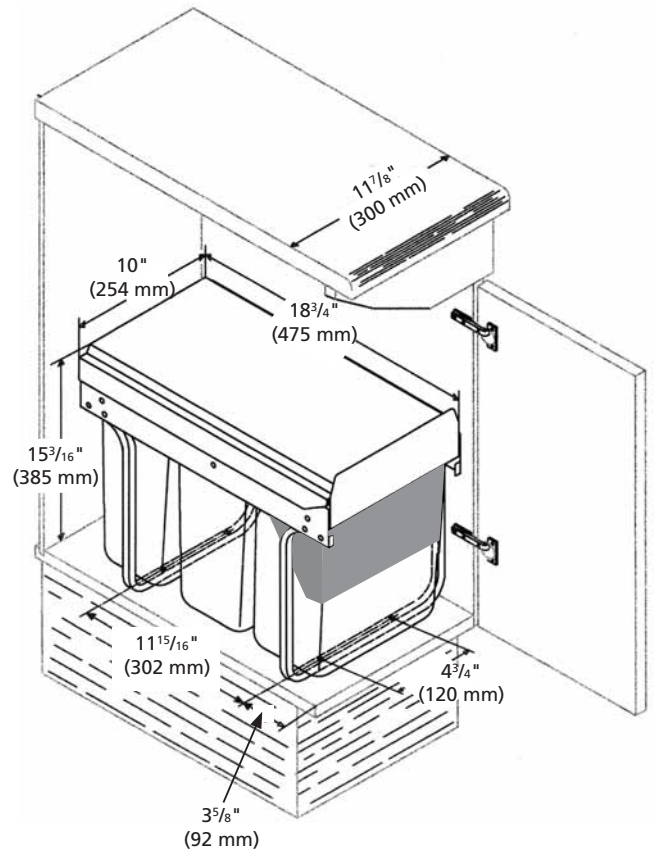
STEP 1

Mount unit to floor of cabinet with 6 screws (provided), per drawing

SEE OTHER SIDE FOR DOOR MOUNTING.



3/16" x 1" (4 mm x 25 mm)



The waste bin can be cleaned with commercial household cleaner.

Questions or comments please call customer service at 1-800-626-1126 or visit www.rev-a-shelf.com

Assembly Instructions for Door Mounting

STEP 2

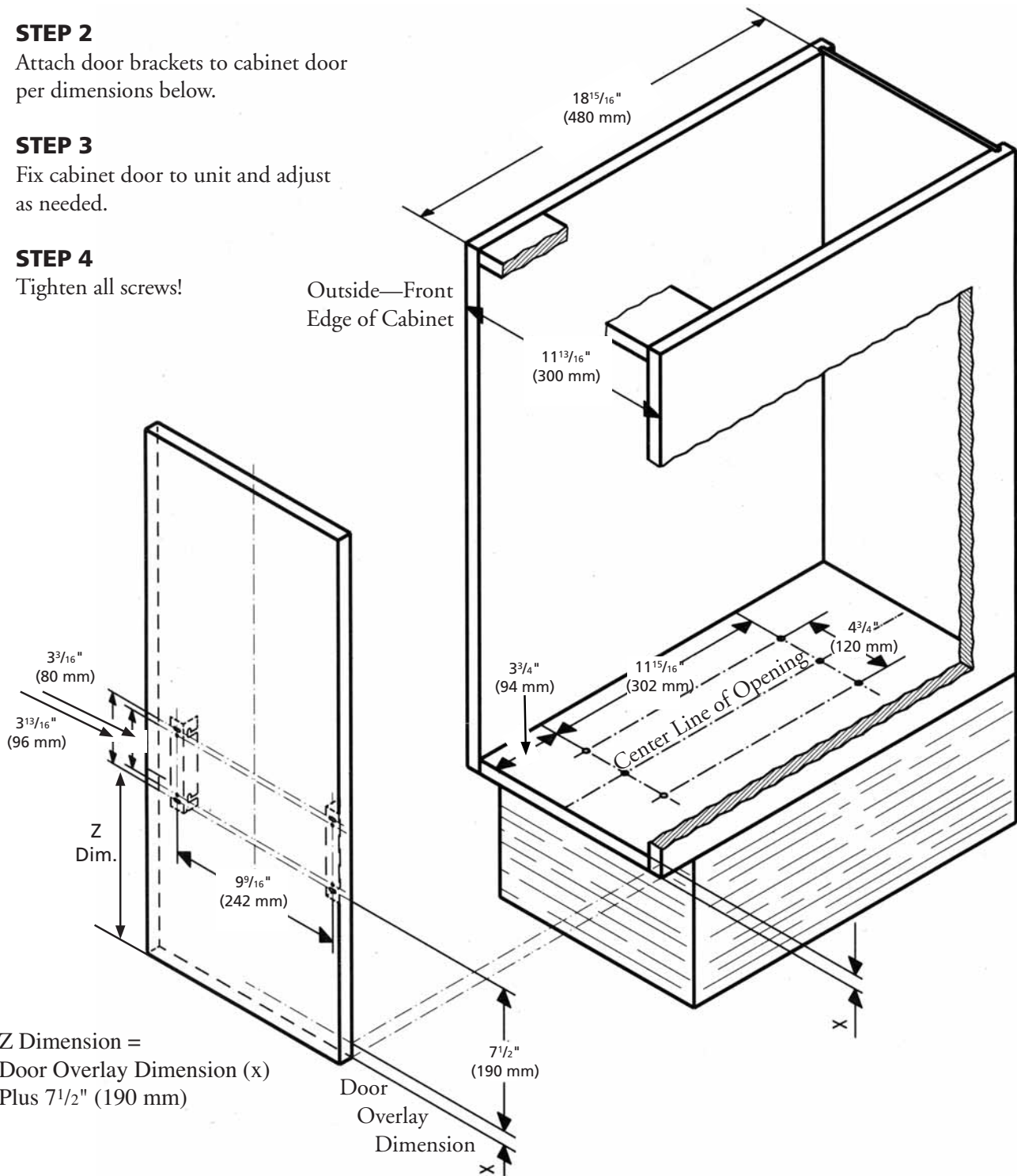
Attach door brackets to cabinet door per dimensions below.

STEP 3

Fix cabinet door to unit and adjust as needed.

STEP 4

Tighten all screws!



Z Dimension =
Door Overlay Dimension (x)
Plus $7\frac{1}{2}$ " (190 mm)

Door
Overlay
Dimension